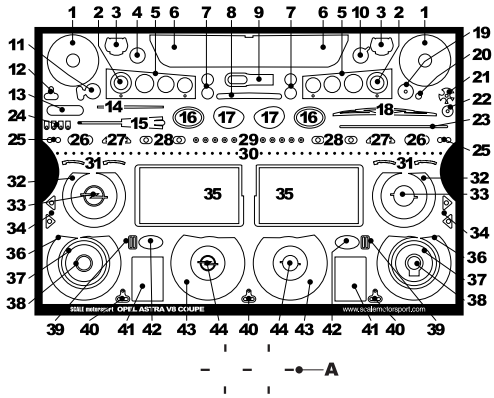


# OPEL ASTRA V8 COUPE



<b>Product</b>	Photoetch Nickel Steel	
<b>Designed for</b>	Tamiya sku#: 24243	
<b>Sku &amp; Price</b>	8135	\$20.00
<b>CF Decal Set</b>	7135	\$20.00
companion product		

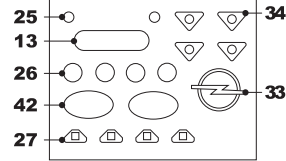


## product key listing

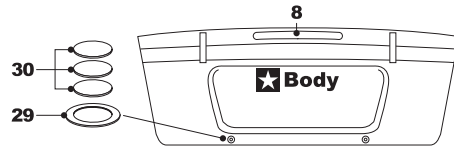
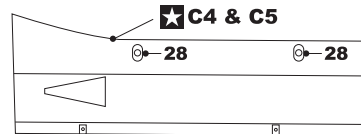
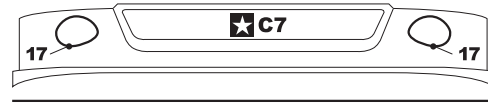
- |                      |                          |
|----------------------|--------------------------|
| 1. Front Brake Hub   | 23. Wiper Blade          |
| 2. GPS Antenna       | 24. Wiper Arm Detail     |
| 3. Seat Belts        | 25. Front Head Lights    |
| 4. Seat Belts        | 26. Front Head Lights    |
| 5. Roll Cage Detail  | 27. Door Sill Detail     |
| 6. Front Grill       | 28. Body Detail          |
| 7. Jack Bases        | 29. Body Fasteners       |
| 8. Rear Brake Light  | 30. Body Fasteners       |
| 9. Rear Tow Hook     | 31. Brake Caliper Detail |
| 10. Seat Belts       | 32. Rear Brake Disc      |
| 11. Seat Belts       | 33. Front Logo Badge     |
| 12. Seat Belts       | 34. Door Sill Detail     |
| 13. Rear View Mirror | 35. Radiator Faces       |
| 14. Wiper Detail     | 36. Front Brake Disc     |
| 15. Wiper Arm        | 37. Rear Hub Detail      |
| 16. Exhaust Shield   | 38. GPS Antenna          |
| 17. Intake Surround  | 39. Seat Belts           |
| 18. Wiper Head       | 40. Seat Belts           |
| 19. Seat Belts       | 41. Wing Endplates       |
| 20. Seat Belts       | 42. Mirror Faces         |
| 21. Seat Belts       | 43. Front Brake Disc     |
| 22. Seat Belts       | 44. Rear Logo Badge      |

Scale Motorsport  
 3 Topside Lane, Newtown, CT 06470-2023  
 Phone: 203-426-9686 Fax: 203-426-1397  
 www.scalemotorsport.com

## 1. replacements for Tamiya electroform

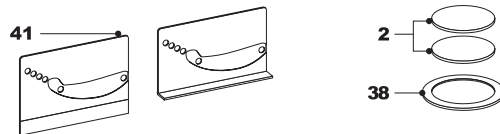


## 2. body details

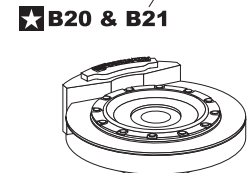
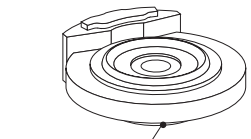
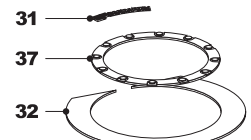
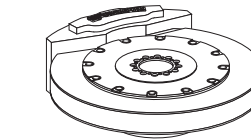
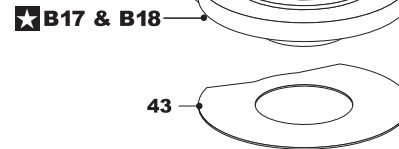
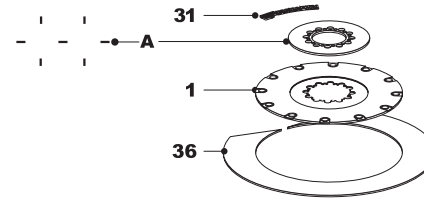


16 — ○ Replace Decal 50

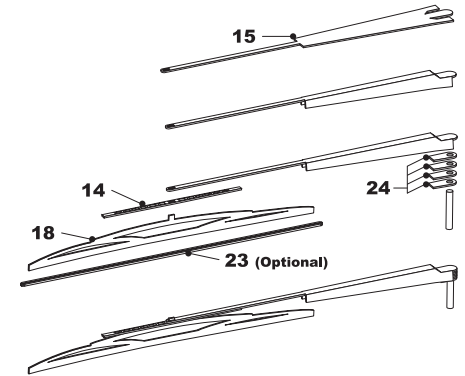
## 3. wing endplates 4. GPS antenna



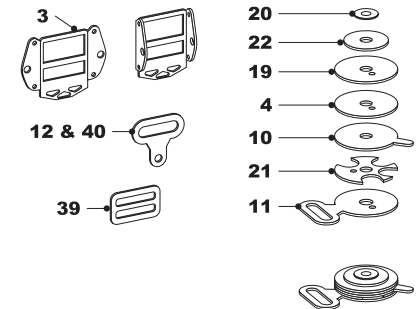
## 5. brake disc & hub assembly



## 6. wiper assembly



## 7. seatbelt details



## 8. front grill/tow hook

