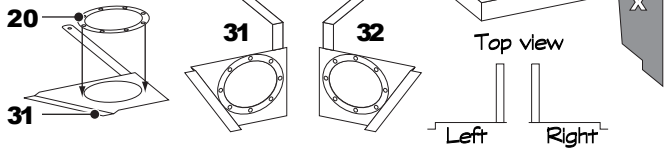


Front End Detail

2 front end versions

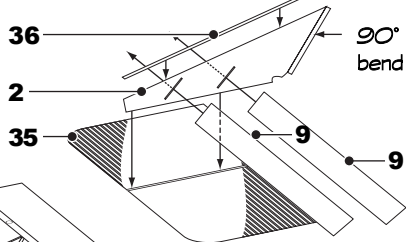
Remove molded detail with an "X".

Sub 1

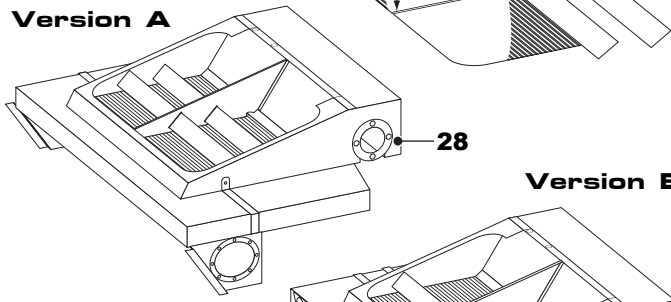


Before proceeding with sub 2, choose version A or B.

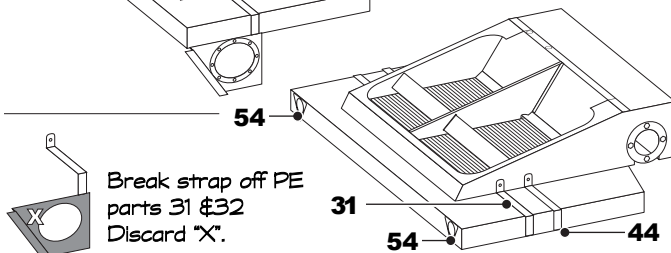
Sub 2



Version A



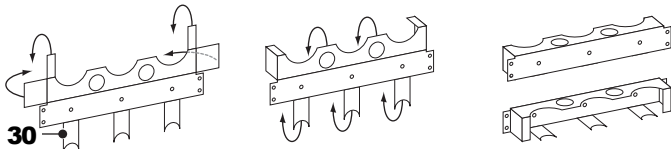
Version B



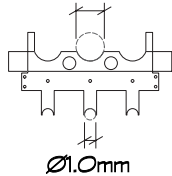
Break strap off PE parts 31 & 32. Discard "X".

Sub 3

All folds in sub 3 are a 90° bend



Ø2.5mm

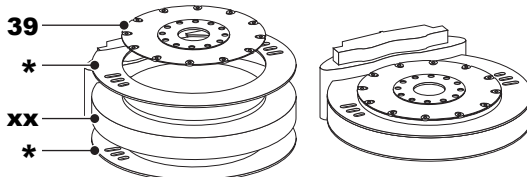


PE part 30 (fluid reservoir) is used on both Versions, A & B

Brake Hubs & Discs

Remove detail from kit parts B24, 25, 26, 27

*Fret number corresponds to kit part number (XX)



Scale Motorsport

P.O. Box 823
Newtown, CT 06470-2023
USA

Fax: 203.426.7136

customerservice@scalemotorsport.com
www.scalemotorsport.com

Nissan R390 GT1

Scale Motorsport sku#: #8016

Designed for Tamiya kit #24192

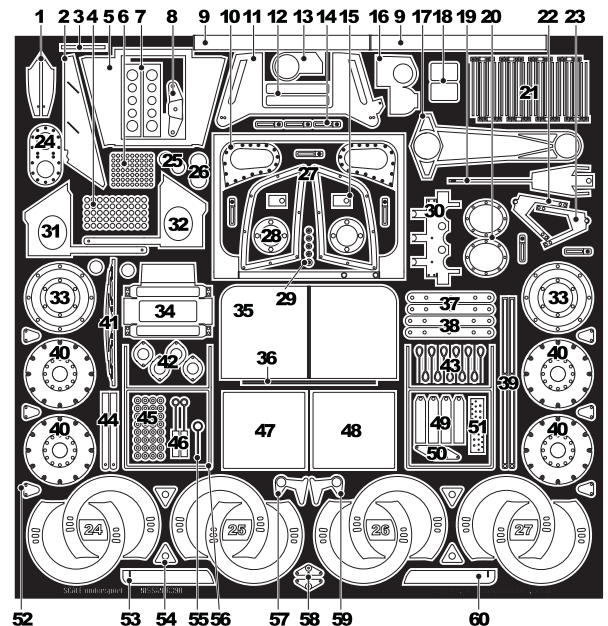
This kit is not a toy, it is designed for the advanced builder or intermediate modeller interested in learning new techniques while expanding their modelling skills. Not safe for children under the age of 12 years.

To see other great Scale Motorsport products please visit our web site at:
www.scalemotorsport.com

Enjoy your build!

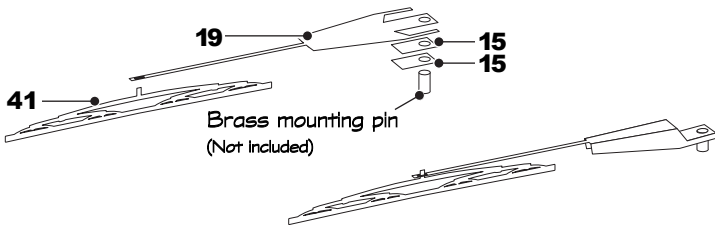
Matthew Wells
Scale Motorsport

Parts List



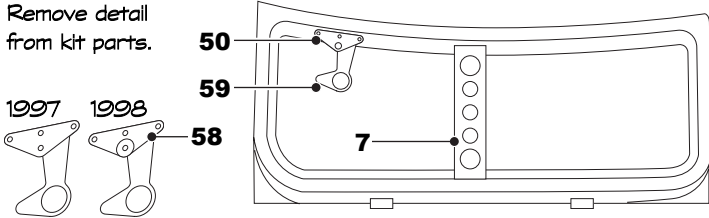
- | | | |
|--------------------------|----------------------------|------------------------|
| 1 Exhaust Shields | 22 Oil Cooler Mount | 43 Pulls |
| 2 Radiator Brace | 23 Oil Cooler Mount | 44 Intercooler Straps |
| 3 Radiator Brace Detail | 24 Dry Break | 45 Rivets |
| 4 Rivet | 25 Dry Break Detail | 46 Door Pulls |
| 5 Cockpit Detail | 26 Dry Break Detail | 47 Intercooler Face |
| 6 Rivets | 27 Headlight Frames | 48 Intercooler Face |
| 7 Door Brackets | 28 Steering Arm Detail | 49 Intercooler Straps |
| 8 Gear Shift Linkage | 29 Dry Break/Pull Rivets | 50 Door Handle |
| 9 Radiator Brace | 30 Fluid Reservoir Bracket | 51 Wheel Well Detail |
| 10 Exhaust Shield | 31 Front Air Scoop Bracket | 52 Windshield Brackets |
| 11 Seat Bracket | 32 Front Air Scoop Bracket | 53 Wheel Well Detail |
| 12 Oil Radiator Detail | 33 Turbocharger Detail | 54 Front End Fastener |
| 13 Front Tow Hook | 34 Oil Radiator | 55 Kill Pull |
| 14 Body Fasteners | 35 Front Radiator Face | 56 Intercooler Frame |
| 15 Windshield Wiper | 36 Radiator Brace Detail | 57 Door Handle |
| 16 Air Duct Brace (Dash) | 37 Door Hinges | 58 Door Handle |
| 17 Rear Tow Hook | 38 Door Hinges | 59 Door Handle |
| 18 Mirror Faces | 39 Intercooler Straps | 60 Wheel Well Detail |
| 19 Wiper Arm | 40 Hub Detail | |
| 20 Intake Frames | 41 Wiper Blade | |
| 21 Hose Clamps | 42 Body Details | |

Windscreen Wiper



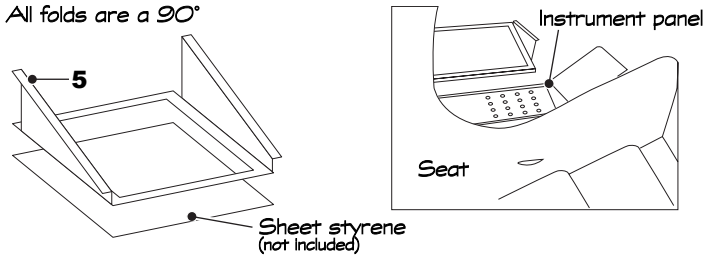
Door Frame

Remove detail from kit parts.

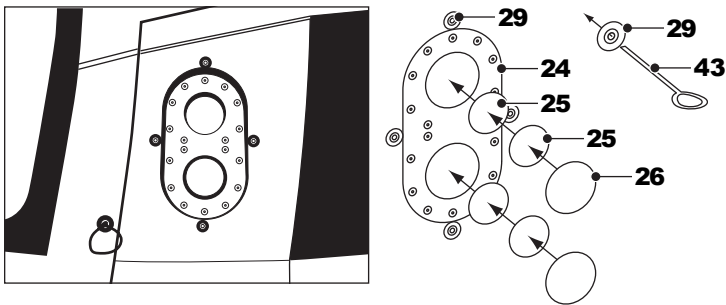


Cockpit Detail

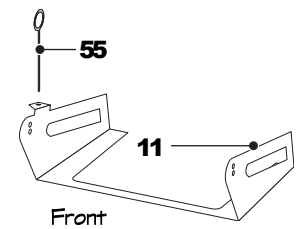
All folds are a 90°



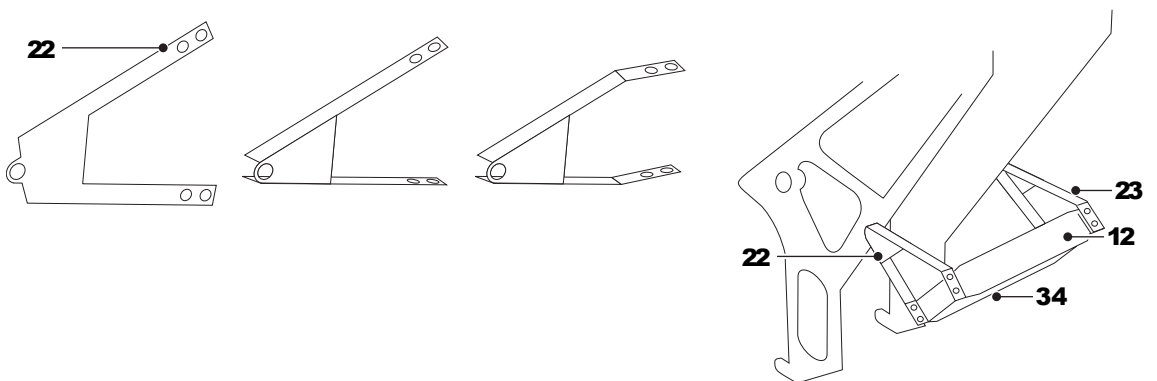
Dry Break



Seat Bracket

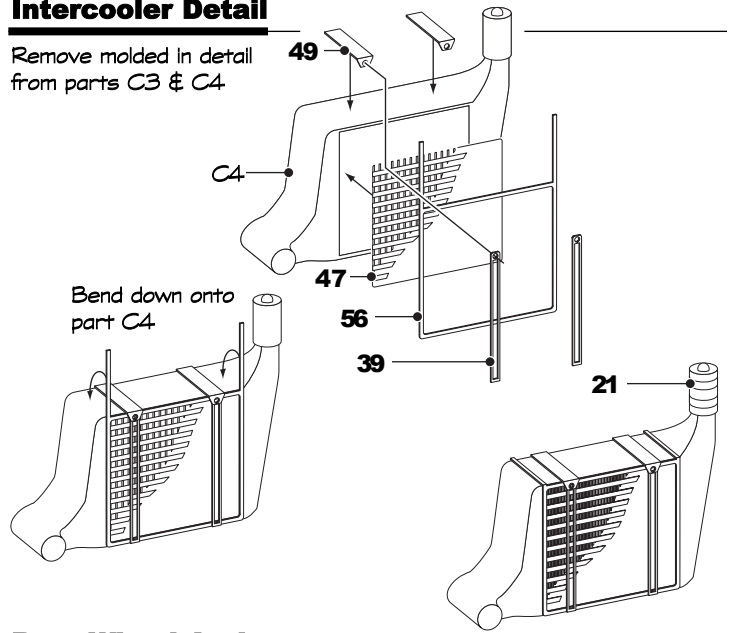


Oil Radiator & Mounts

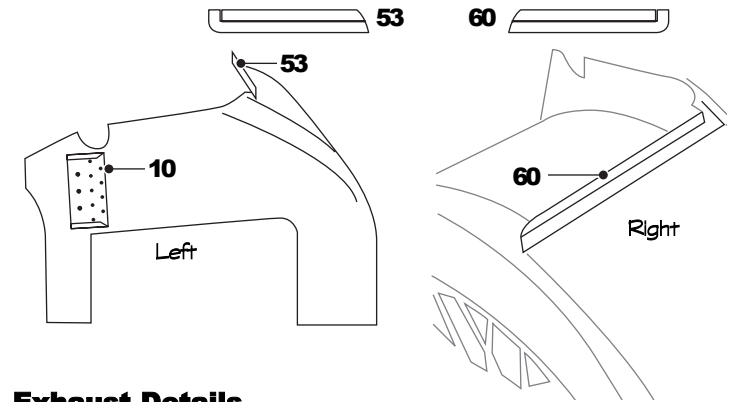


Intercooler Detail

Remove molded in detail from parts C3 & C4



Rear Wheel Arch



Exhaust Details

