



**Scale Motorsport**  
3 Topside Lane  
Newtown, CT 06470-2023

Phone: 203.426.9686  
Fax: 203.426.1397  
customerservice@scalemotorsport.com  
www.scalemotorsport.com

**Williams FW-24**  
**Scale Motorsport sku#: #8008**  
**For Tamiya sku#: 20055 & Clearview**

This kit is not a toy, it is designed for the advanced builder or intermediate modeller interested in learning new techniques while expanding their modelling skills. Not safe for children under the age of 12 years.

**Production Notes:**

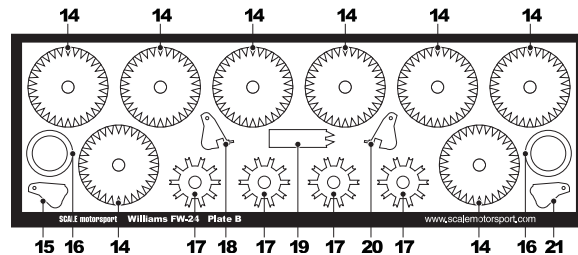
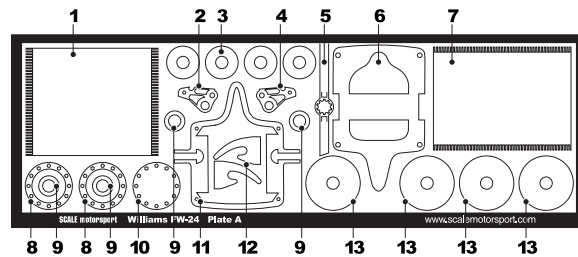
Our Williams Super Detail Kit is designed to work with both the Tamiya solid and clear view body versions. Even though this is a 1/20th scale kit the bulkhead and brake details engineered into your FW24 Super Detail Kit will amaze even the most advanced builder.

To see other great Scale Motorsport products please visit our web site at: [www.scalemotorsport.com](http://www.scalemotorsport.com)

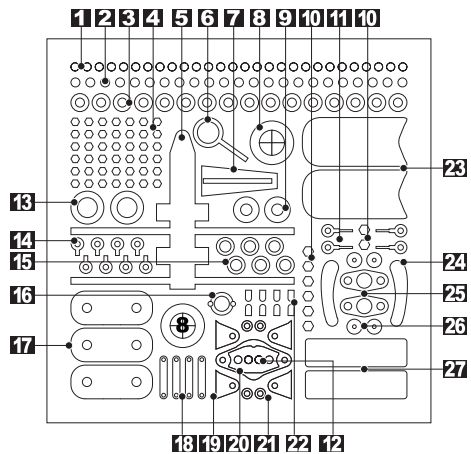
Enjoy your build!

Matthew Wells  
Scale Motorsport

**Williams FW-24 Parts List**



- |                             |                               |
|-----------------------------|-------------------------------|
| <b>1</b> Radiator Face      | <b>12</b> Rear Jack Stay      |
| <b>2</b> Rear Shock Pivot   | <b>13</b> Brake Hub Detail    |
| <b>3</b> Brake Hub Detail   | <b>14</b> Brake Disc          |
| <b>4</b> Rear Shock Pivot   | <b>15</b> Rear Shock Pivot    |
| <b>5</b> Wheel Nut Wrench   | <b>16</b> Brake Hub Detail    |
| <b>6</b> Monocoque Bulkhead | <b>17</b> Brake Hub Detail    |
| <b>7</b> Radiator Face      | <b>18</b> Rear Shock Pivot    |
| <b>8</b> Dry Break Ring     | <b>19</b> Disc Alignment Tool |
| <b>9</b> Brake Hub Detail   | <b>20</b> Rear Shock Pivot    |
| <b>10</b> Dry Break Plate   | <b>21</b> Rear Shock Pivot    |
| <b>11</b> Nose Cone Mount   |                               |



- |                                  |                                 |
|----------------------------------|---------------------------------|
| <b>1</b> Fasteners               | <b>15</b> Bulkhead Detail       |
| <b>2</b> Fasteners               | <b>16</b> Bulkhead Detail       |
| <b>3</b> Fasteners               | <b>17</b> Shock Mount           |
| <b>4</b> Dry Break Bolt Heads    | <b>18</b> Retaining Straps      |
| <b>5</b> Reservoir Bracket       | <b>19</b> Bulkhead Detail       |
| <b>6</b> Kill Switch             | <b>20</b> Bulkhead Detail       |
| <b>7</b> Jack Stey Bracket       | <b>21</b> Bulkhead Detail       |
| <b>8</b> Steering Wheel Badge    | <b>22</b> Bulkhead Detail       |
| <b>9</b> Pivot Arm Detail        | <b>23</b> Winglets              |
| <b>10</b> Bolt Heads             | <b>24</b> Steering Wheel Detail |
| <b>11</b> Banjo Fitting          | <b>25</b> Bulkhead Detail       |
| <b>12</b> Front Bulkhead Details | <b>26</b> Bulkhead Detail       |
| <b>13</b> Pivot Arm Detail       | <b>27</b> Mirrors               |
| <b>14</b> Banjo Fitting          |                                 |



**Scale Motorsport**  
3 Topside Lane  
Newtown, CT 06470-2023

Phone: 203.426.9686  
Fax: 203.426.1397  
customerservice@scalemotorsport.com  
www.scalemotorsport.com

**Williams FW-24**  
**Scale Motorsport sku#: #2008**  
**For Tamiya sku#: 20055**

This kit is not a toy, it is designed for the advanced builder or intermediate modeller interested in learning new techniques while expanding their modelling skills. Not safe for children under the age of 12 years.

**Production Notes:**

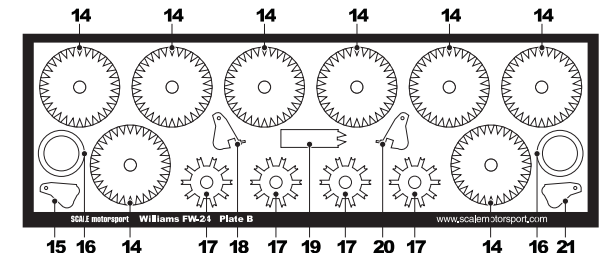
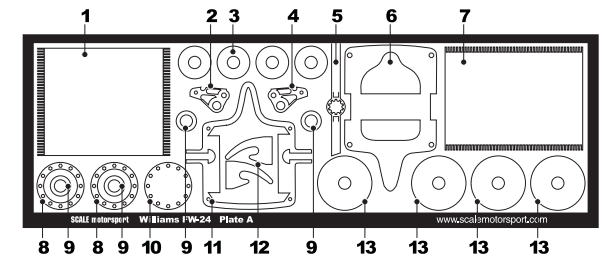
Our Williams Super Detail Kit is designed to work with both the Tamiya solid and clear view body versions. Even though this is a 1/20th scale kit the bulkhead and brake details engineered into your FW24 Super Detail Kit will amaze even the most advanced builder.

To see other great Scale Motorsport products please visit our web site at: [www.scalemotorsport.com](http://www.scalemotorsport.com)

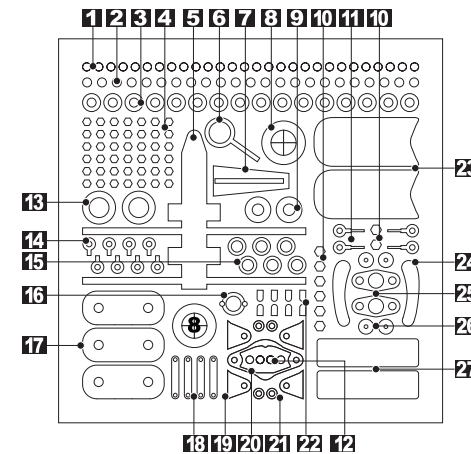
Enjoy your build!

Matthew Wells  
Scale Motorsport

**Williams FW-24 Parts List**

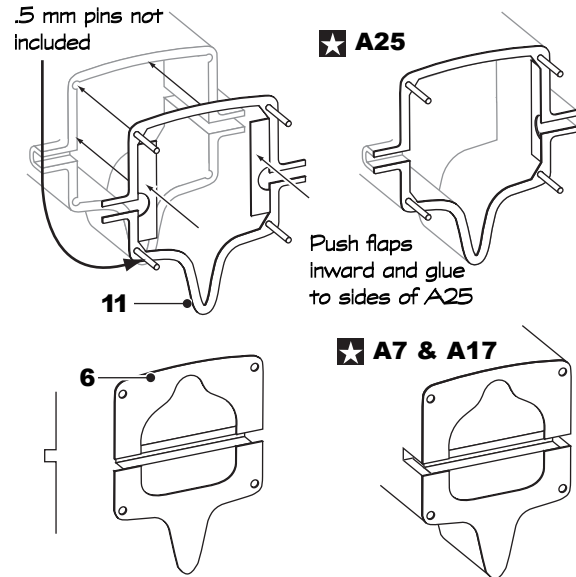


- |                             |                               |
|-----------------------------|-------------------------------|
| <b>1</b> Radiator Face      | <b>12</b> Rear Jack Stay      |
| <b>2</b> Rear Shock Pivot   | <b>13</b> Brake Hub Detail    |
| <b>3</b> Brake Hub Detail   | <b>14</b> Brake Disc          |
| <b>4</b> Rear Shock Pivot   | <b>15</b> Rear Shock Pivot    |
| <b>5</b> Wheel Nut Wrench   | <b>16</b> Brake Hub Detail    |
| <b>6</b> Monocoque Bulkhead | <b>17</b> Brake Hub Detail    |
| <b>7</b> Radiator Face      | <b>18</b> Rear Shock Pivot    |
| <b>8</b> Dry Break Ring     | <b>19</b> Disc Alignment Tool |
| <b>9</b> Brake Hub Detail   | <b>20</b> Rear Shock Pivot    |
| <b>10</b> Dry Break Plate   | <b>21</b> Rear Shock Pivot    |
| <b>11</b> Nose Cone Mount   |                               |



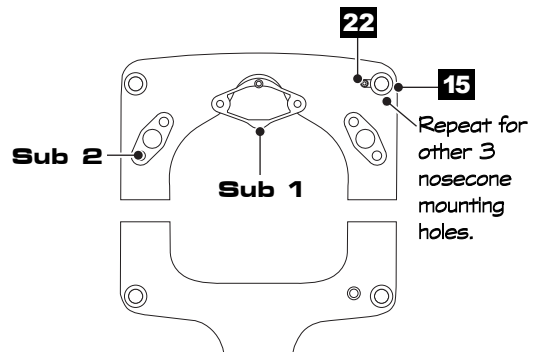
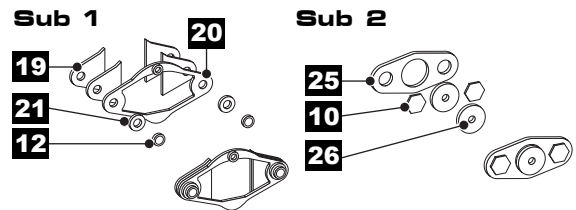
- |                                  |                                 |
|----------------------------------|---------------------------------|
| <b>1</b> Fasteners               | <b>15</b> Bulkhead Detail       |
| <b>2</b> Fasteners               | <b>16</b> Bulkhead Detail       |
| <b>3</b> Fasteners               | <b>17</b> Shock Mount           |
| <b>4</b> Dry Break Bolt Heads    | <b>18</b> Retaining Straps      |
| <b>5</b> Reservoir Bracket       | <b>19</b> Bulkhead Detail       |
| <b>6</b> Kill Switch             | <b>20</b> Bulkhead Detail       |
| <b>7</b> Jack Stey Bracket       | <b>21</b> Bulkhead Detail       |
| <b>8</b> Steering Wheel Badge    | <b>22</b> Bulkhead Detail       |
| <b>9</b> Pivot Arm Detail        | <b>23</b> Winglets              |
| <b>10</b> Bolt Heads             | <b>24</b> Steering Wheel Detail |
| <b>11</b> Banjo Fitting          | <b>25</b> Bulkhead Detail       |
| <b>12</b> Front Bulkhead Details | <b>26</b> Bulkhead Detail       |
| <b>13</b> Pivot Arm Detail       | <b>27</b> Mirrors               |
| <b>14</b> Banjo Fitting          |                                 |

### Monocoque Bulkhead

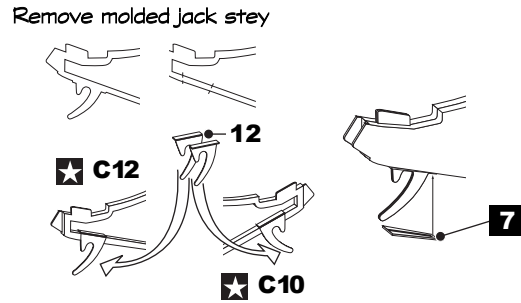


Bend part #6 to the shape shown (Profile). Mount onto parts A7 and A17 to form the bulkhead.

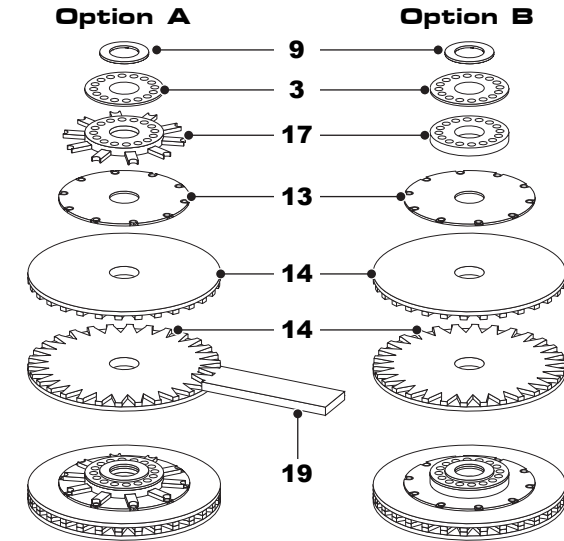
### Bulkhead Details



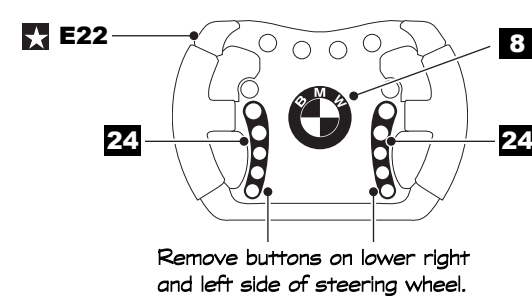
### Jack Stey



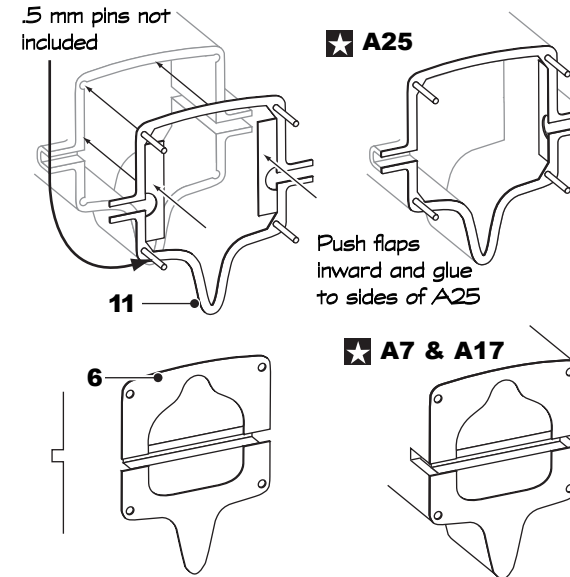
### Brake Disc Detail



### Steering Wheel

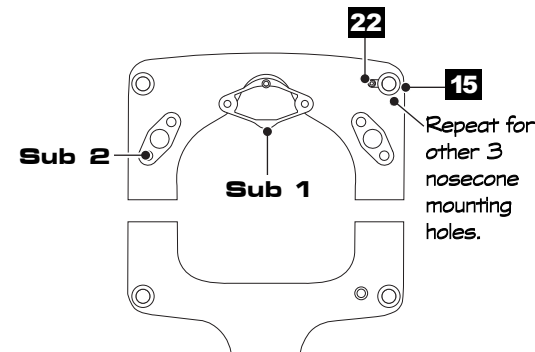
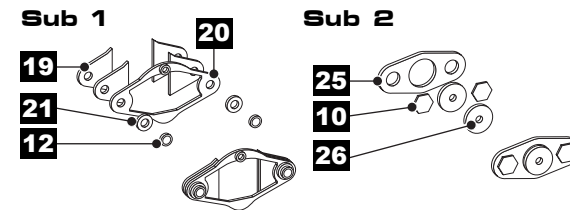


### Monocoque Bulkhead

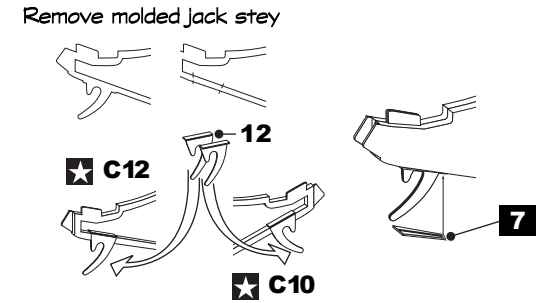


Bend part #6 to the shape shown (Profile). Mount onto parts A7 and A17 to form the bulkhead.

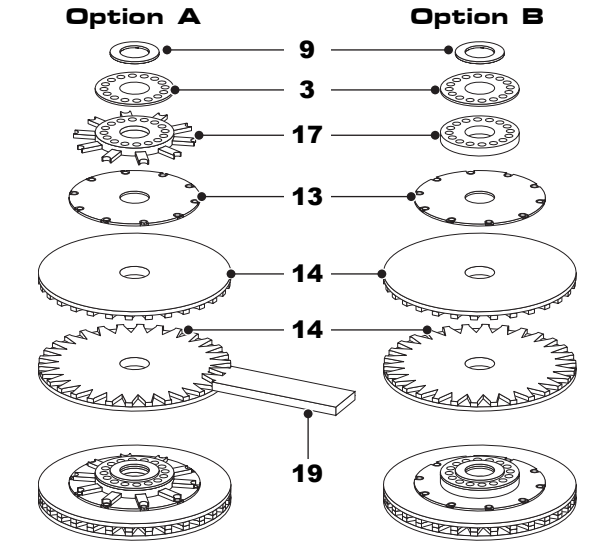
### Bulkhead Details



### Jack Stey



### Brake Disc Detail



### Steering Wheel

