



Scale Motorsport
3 Topside Lane
Newtown, CT 06470-2023

Phone: 203.426.9686
Fax: 203.426.1397
E-mail: scalemotor@aol.com
www.scalemotorsport.com

This kit is not a toy, it is designed for the advanced builder or intermediate modeller interested in learning new techniques while expanding their modelling skills. Not safe for children under the age of 12 years.

Williams FW-24
Scale Motorsport sku#: #2008
For Tamiya sku#: 20055 & Clearview

Production Notes:
Our Williams FW24 Super Detail Kit marks a milestone for Scale Motorsport. New design engineering software, coupled with major manufacturing support allows us to economically pack this kit with 36 turned metal components, hundreds of photoetch details and of course our famous composite fiber template decals.

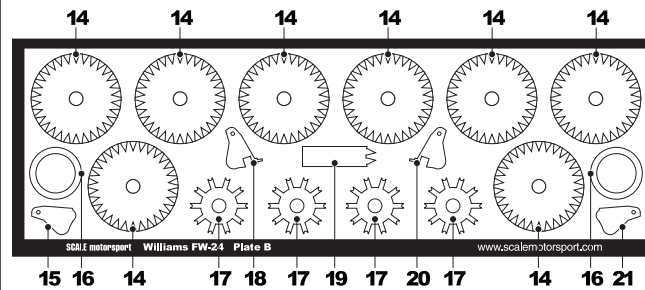
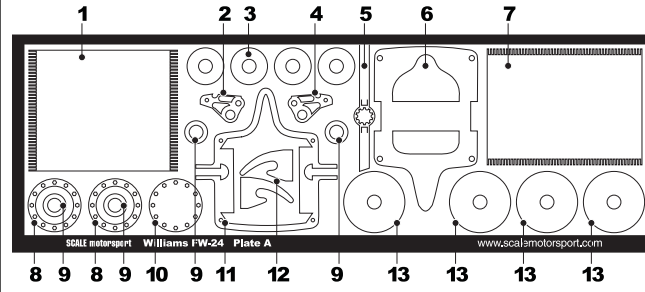
Our Williams Super Detail Kit is designed to work with both the Tamiya solid and clear view body versions. Even though this is a 1/20th scale kit the bulkhead and brake details engineered into your FW24 Super Detail Kit will amaze even the most advanced builder.

To see other great Scale Motorsport products please visit our web site at:
www.scalemotorsport.com

Enjoy your build!

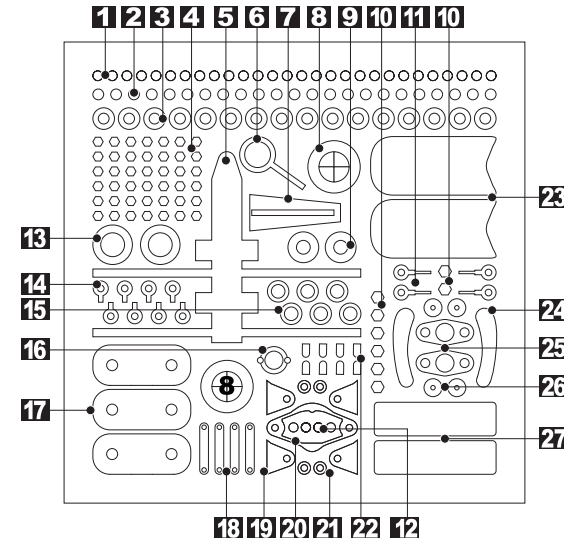
Matthew Wells
Scale Motorsport

Williams FW-24 Parts List

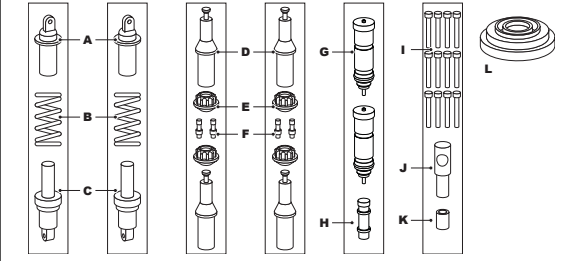


- | | |
|-----------------------------|-------------------------------|
| 1 Radiator Face | 12 Rear Jack Stay |
| 2 Rear Shock Pivot | 13 Brake Hub Detail |
| 3 Brake Hub Detail | 14 Brake Disc |
| 4 Rear Shock Pivot | 15 Rear Shock Pivot |
| 5 Wheel Nut Wrench | 16 Dry Break Ring |
| 6 Monocoque Bulkhead | 17 Brake Hub Detail |
| 7 Radiator Face | 18 Rear Shock Pivot |
| 8 Dry Break Ring | 19 Disc Alignment Tool |
| 9 Brake Hub Detail | 20 Rear Shock Pivot |
| 10 Dry Break Plate | 21 Rear Shock Pivot |
| 11 Nose Cone Mount | |

Rubber Backed Parts List

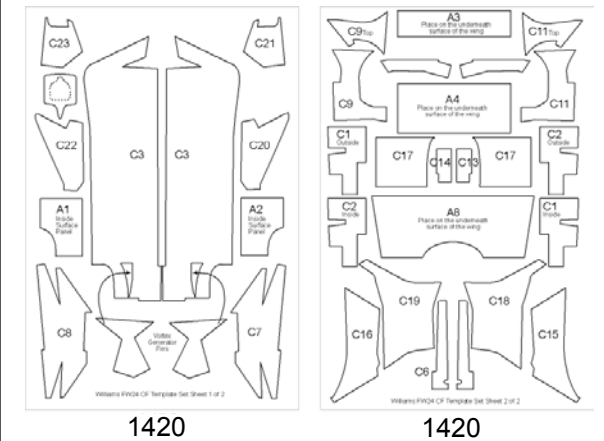


- | | |
|----------------------------------|--|
| 1 Fasteners | 15 Bulkhead Detail |
| 2 Fasteners | 16 Bulkhead Detail |
| 3 Fasteners | 17 Shock Mount |
| 4 Dry Break Bolt Heads | 18 Retaining Straps (Steering Rack) |
| 5 Reservoir Bracket | 19 Bulkhead Detail |
| 6 Kill Switch | 20 Bulkhead Detail |
| 7 Jack Stay Bracket | 21 Bulkhead Detail |
| 8 Steering Wheel Badge | 22 Bulkhead Detail |
| 9 Pivot Arm Detail | 23 Winglets |
| 10 Bolt Heads | 24 Steering Wheel Detail |
| 11 Banjo Fitting | 25 Bulkhead Detail |
| 12 Front Bulkhead Details | 26 Bulkhead Detail |
| 13 Pivot Arm Detail | 27 Mirrors |
| 14 Banjo Fitting | |



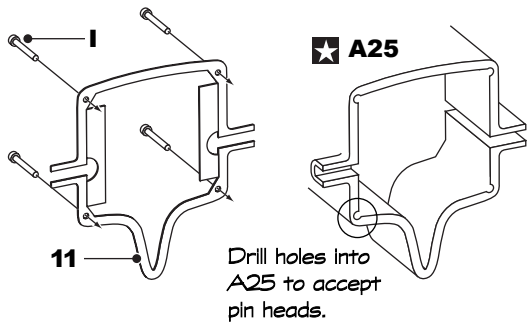
- | | |
|--------------------------------|-------------------------------------|
| A Shock Body Top (2) | G Fluid Reservoir A (2) |
| B Coil Springs (2) | H Fluid Reservoir B (1) |
| C Shock Body Bottom (2) | I Mounting Pins (12)* |
| D Hub Shaft (4) | J Front End Shaft (1) |
| E Wheel Nut (4) | K Front End Shaft Detail (1) |
| F Tire Valve (4) | L Dry Break (2)* |

*Items contained in plastic bag.



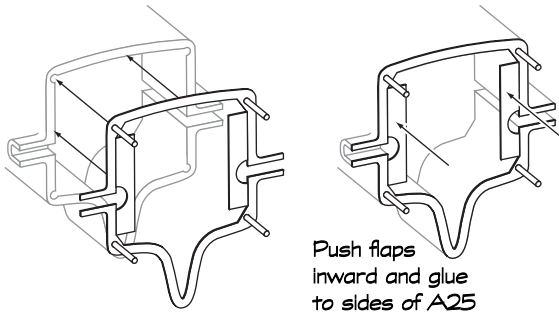
The FW-24 Super Detail Kit comes with 2 templated composite fiber decal sheets containing at least 21 separate template parts. The templates are numbered to correspond with the Tamiya part numbers.

Monocoque Bulkhead

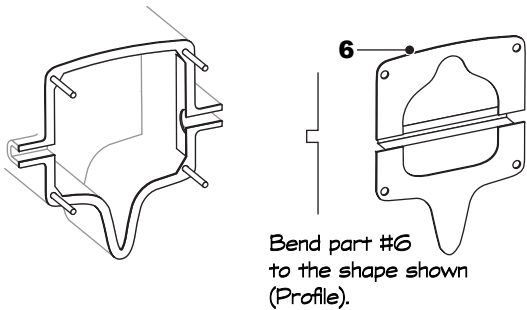


★ A25

11 Drill holes into A25 to accept pin heads.

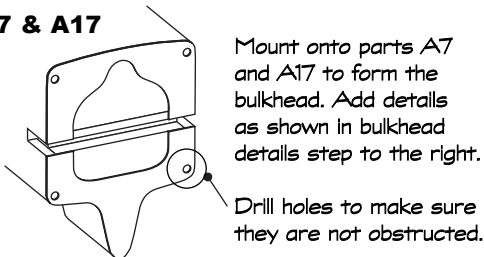


Push flaps inward and glue to sides of A25



Bend part #6 to the shape shown (Profile).

★ A7 & A17

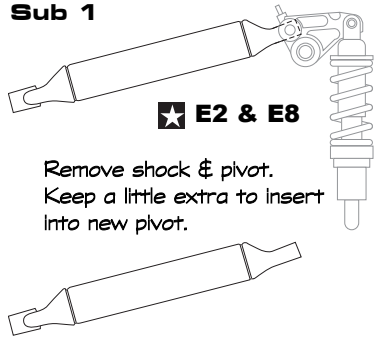


Mount onto parts A7 and A17 to form the bulkhead. Add details as shown in bulkhead details step to the right.

Drill holes to make sure they are not obstructed.

Rear Shock Assembly

Sub 1



★ E2 & E8

Remove shock & pivot. Keep a little extra to insert into new pivot.

Sub 2



17

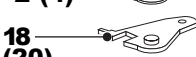
Sub 3



9



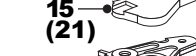
13



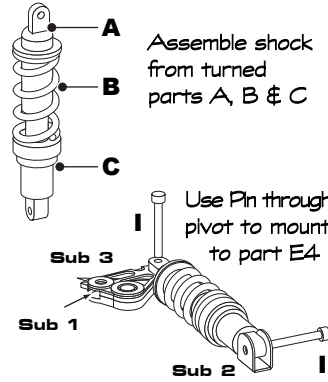
2 (4)



18



15 (21)



Assemble shock from turned parts A, B & C

Use Pin through pivot to mount to part E4

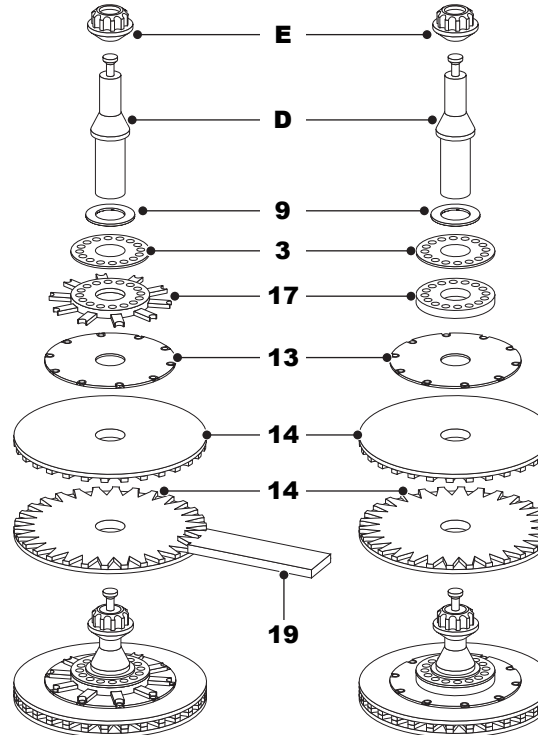
Sub 1

Sub 2

Brake Disc Detail

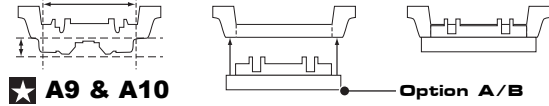
Option A

Option B



Dry Break

Remove area between dotted lines.

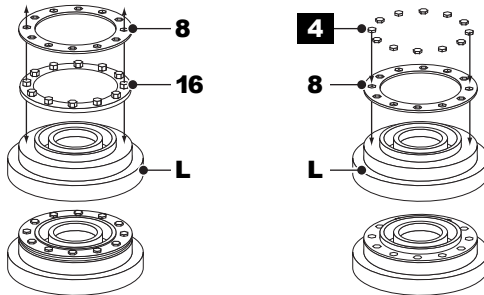


★ A9 & A10

Option A/B

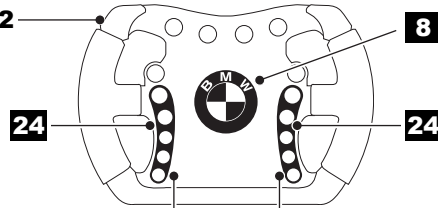
Option A

Option B



Steering Wheel

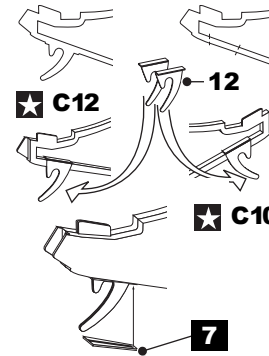
★ E22



Remove buttons on lower right and left side of steering wheel.

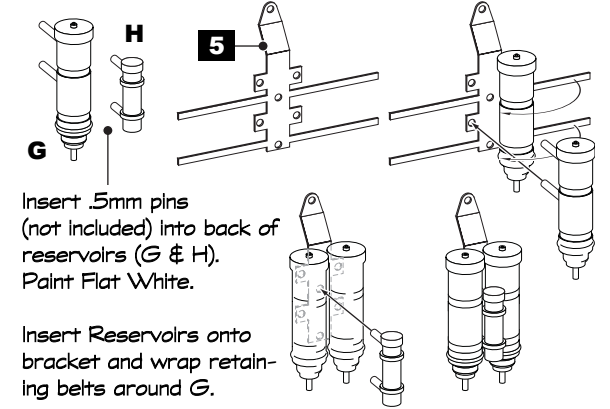
Jack Stey

Remove molded Jack stey



Bulkhead Details

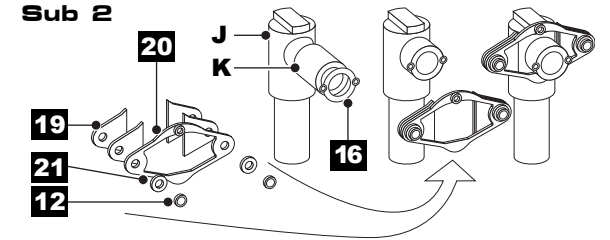
Sub 1 Bend part 5 approximately, fine tune upon installation on bulkhead to miss steering arms.



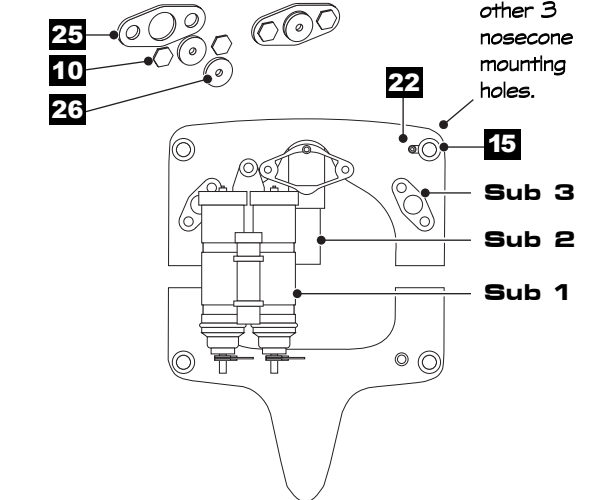
Insert .5mm pins (not included) into back of reservoirs (G & H). Paint Flat White.

Insert Reservoirs onto bracket and wrap retaining belts around G.

Sub 2



Sub 3



Repeat for other 3 nosecone mounting holes.